

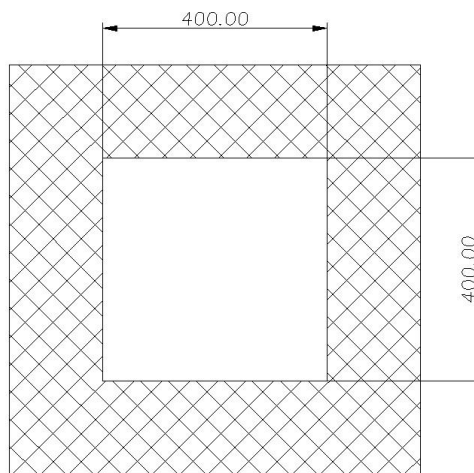
# RSL400X400 skylight

—OPERATION AND INSTALLATION INSTRUCTIONS



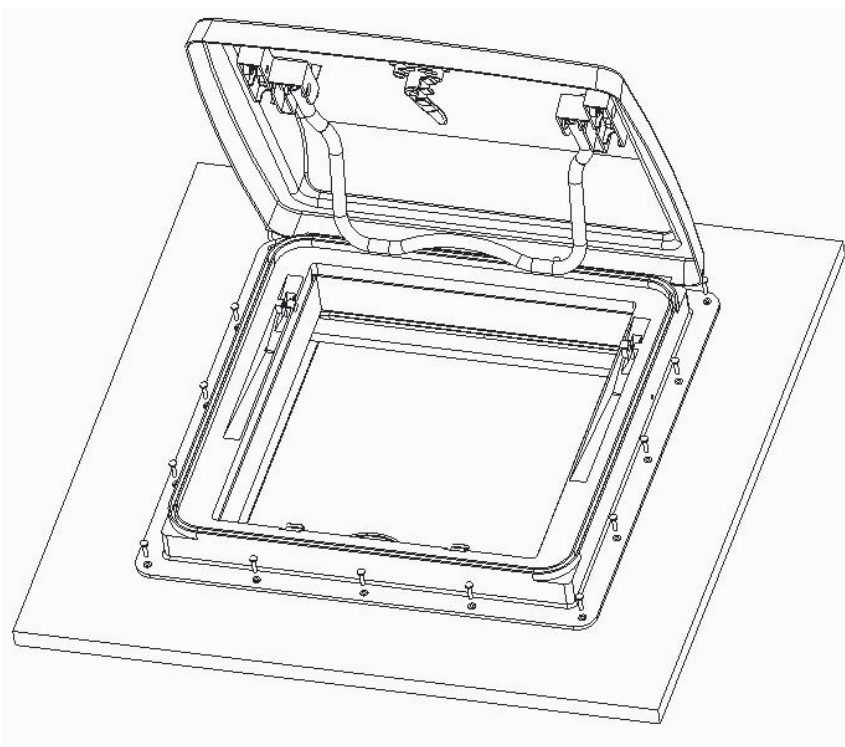
## Product parameter:

- 1、 Cut-out size: 400x400mm;
- 2、 Overall: 500x500mm;
- 3、 Maxium opening:  $\leq 70^\circ$ ;
- 4、 Wall thickness: 20-50mm;
- 5、 Above the roof: 105mm;
- 6、 Material: ASA、 PC;
- 7、 Color: Frame white, window cover brown;



## Installation steps:

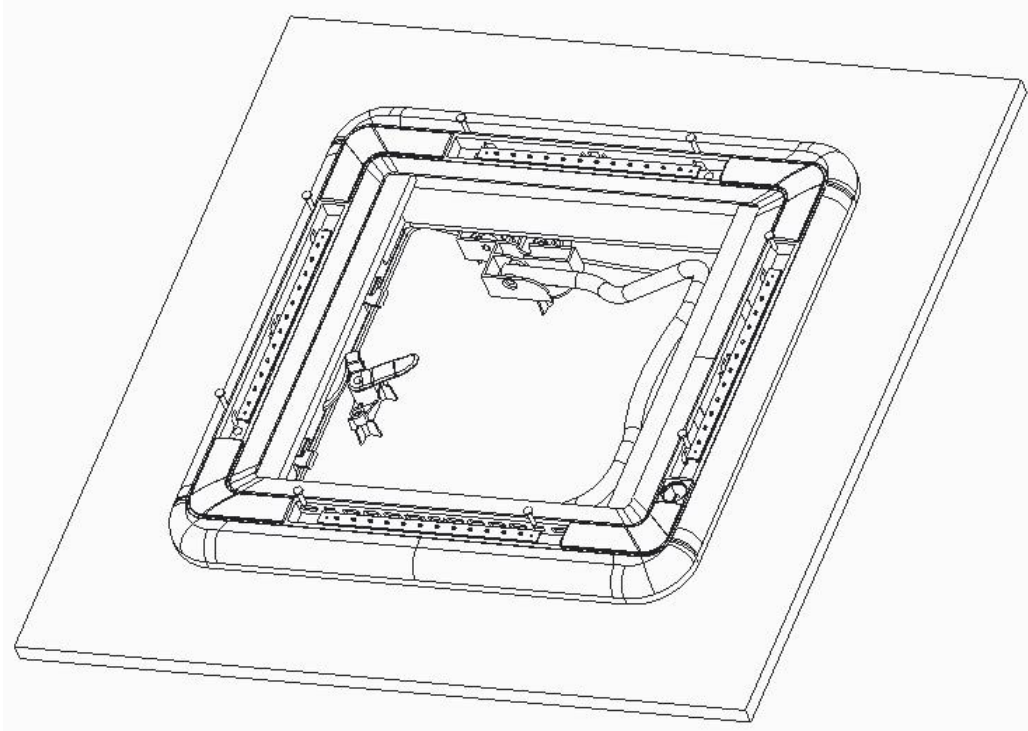
### Step 1:



Remove the upper part of the skylight, place the component into the mounting hole (outside the wall) with the opening in the direction of the rear of the caravan, use seal glue, fix with 16 pcs self-tapping screws (PA-4.8\*32).

**Attention:** The mounting holes are filled with wooden frames (520\*520) to prevent the screws from slipping off, if not wooden frame, it is a metal material, it is forbidden to use accessory screws.

## Step 2:



Remove the window cover, please the lower part of the skylight into the mounting hole (inside the wall) with the light switch in the opposite of the window opening, use 8 pcs self-tapping screws ( PA-4\*25), put the cover.

## Step 3:

Wiring. Red connect positive electrode, black connect negative electrode.

Finish installation.

## Operation instructions:

### 1. Switch function:

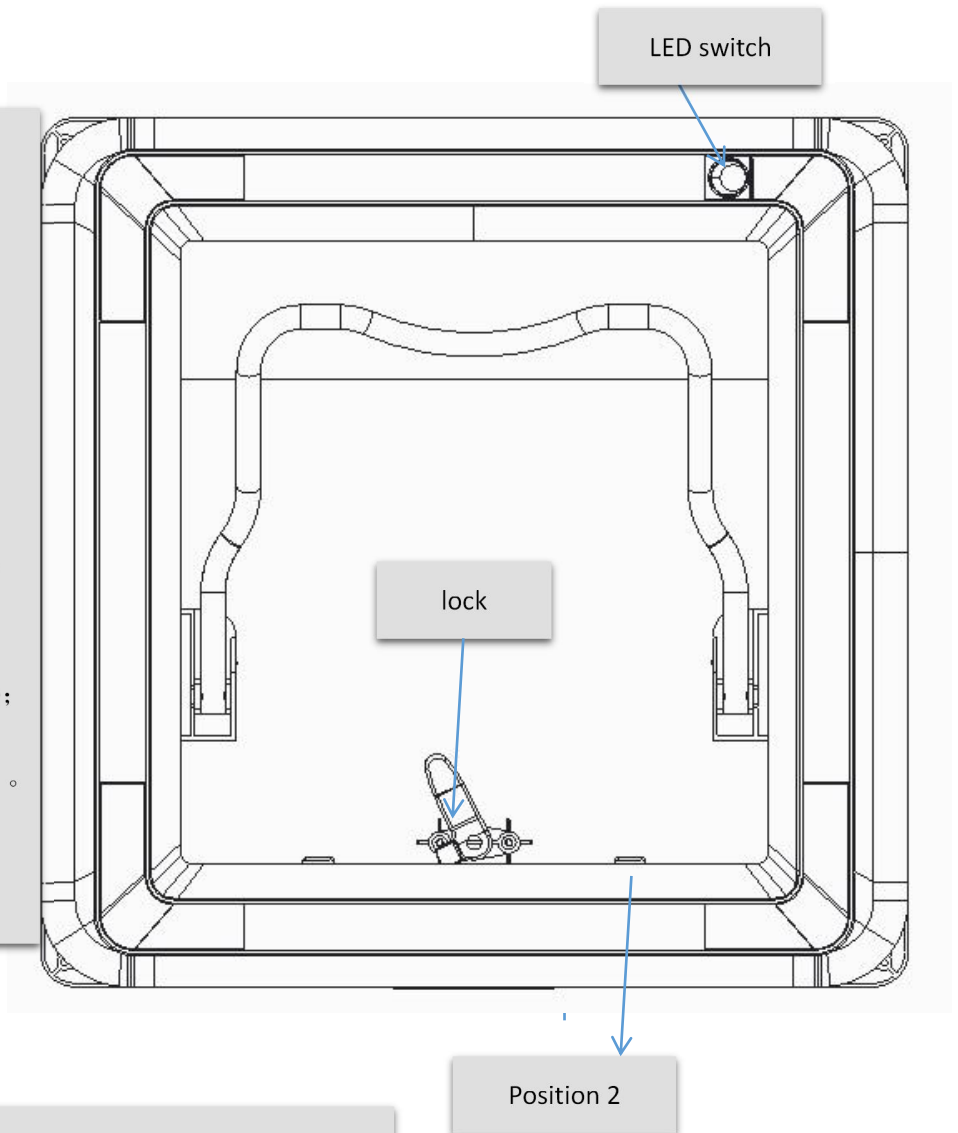
- 1) Control LED;

### 2. Lock function:

- 1) Close the window.
- 2) Position 1: Opening angle  $2^{\circ}$  ;  
(PS: Press the button to open the lock)

### 3. pull function:

- 1) Assistant the skylight open and close;
- 2) Position 2: opening angle  $25^{\circ}$  ;
- 3) Position 3: opening max. Angle  $70^{\circ}$  .



Attention: Close the skylight while driving.