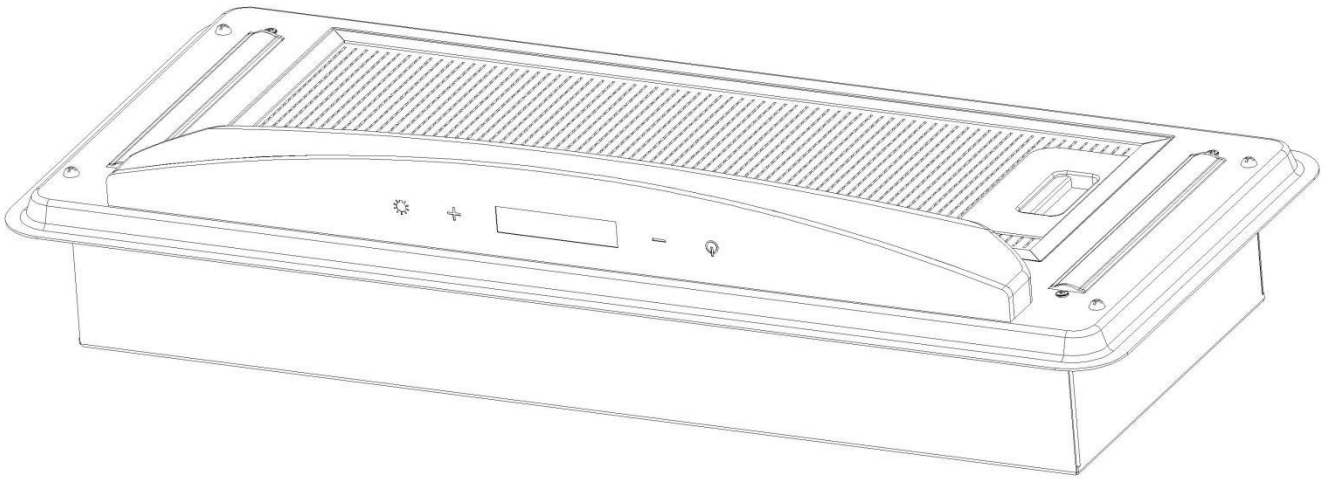


RANGEEHOOD SEKTS

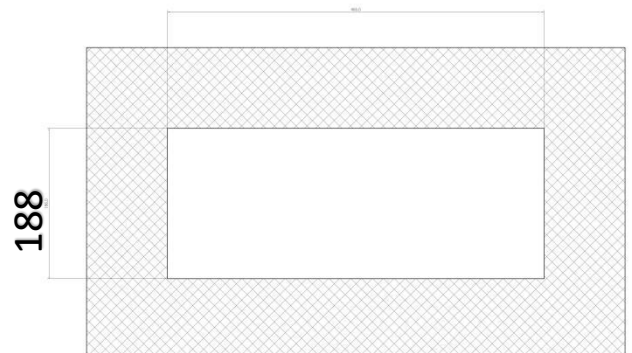
—OPERATION AND INSTALLATION

INSTRUCTIONS



Product parameter:

- 1、 cut off size: 468X188mm;
- 2、 overall size: 520X230X75;
- 3、 Installation method: insert mounted;



Step 1: insert ranghood component into the groove,using 4pcs M4 tail screw to fix.

Step 2: Connect panel plug wire and frame wire together, put panel onto the main body, using M4*10 stainless steel screw to fix the panel.

4、Material: SPCC、galvanized sheet;

5、Performance parameter: voltage: 12V; current: 1.75A; power: 21W;

6、weight: 2.5/kg;

M4 tail screw

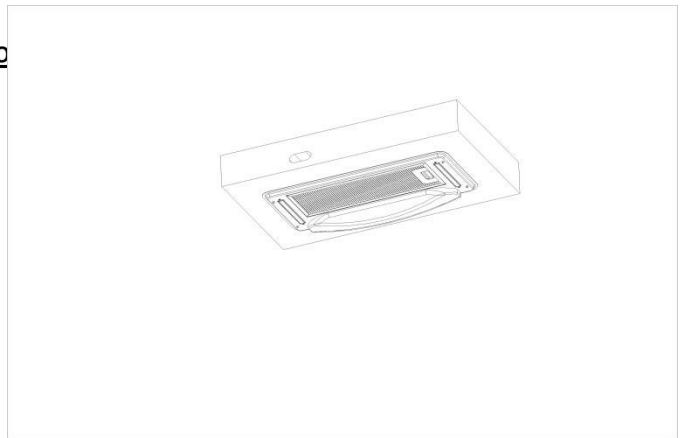
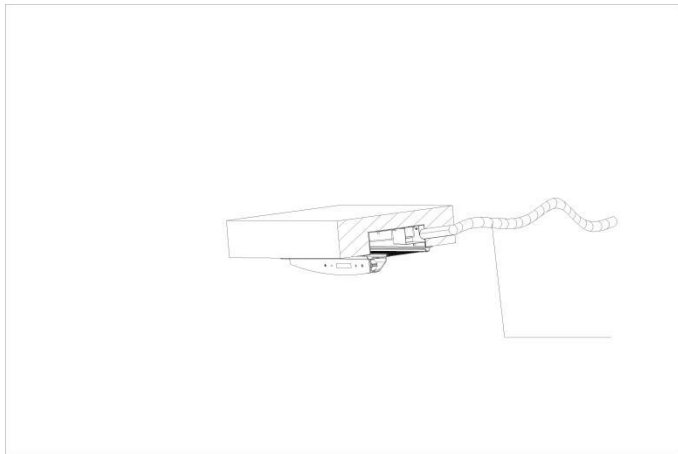
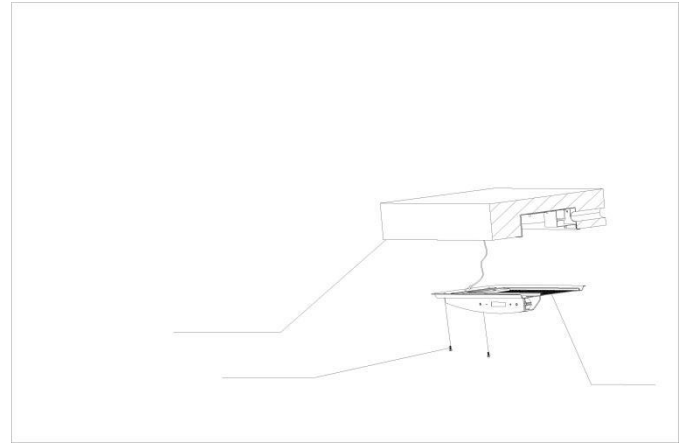
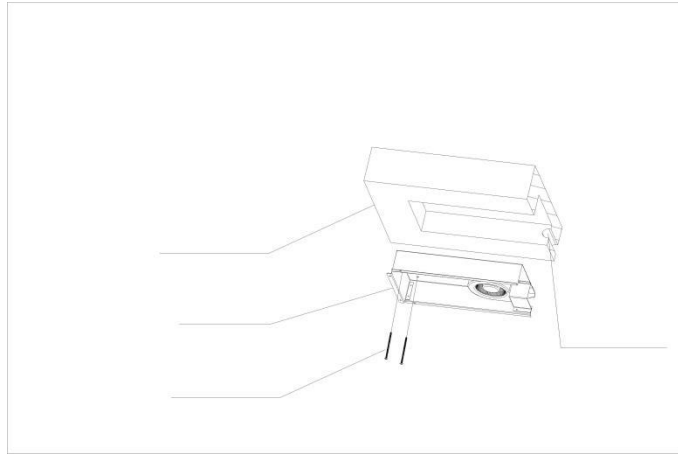
Groove

M4X10

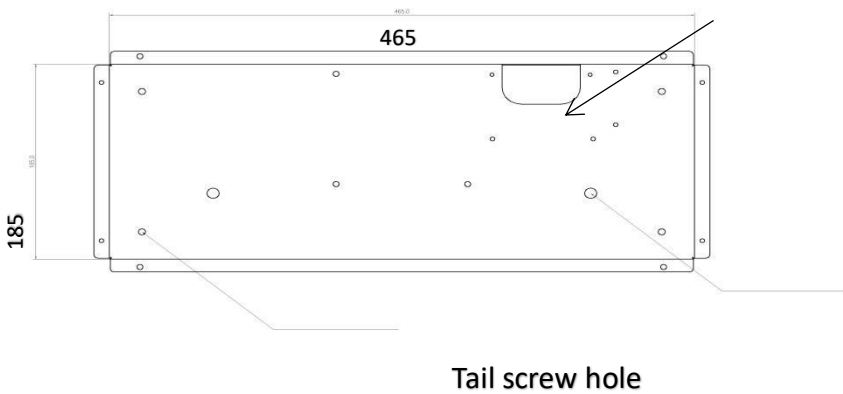
body

Panel

Installation:



ilatio



Power wire

Tail screw hole

Instruction:

SEKTS

1、 switch

1) power switch:

- ①: control power (touch);
- ②: long press to regulate time;

2) LED switch:

Control LED

3) “-” \ “+”

- ①: fan speed control switch;
- ②: Regulate time.

2.Oil filter

Pull activity lock to disassemble oil filter.;

3.Ventilation

1) 、 Square vent baffle

- ①、 hole size: 62x28mm

