

LIFTING & LEVELLING

kojack[®]

Hydraulic Caravan & RV Jack



WARNING

**READ USER MANUAL
CAREFULLY FOR SAFE
OPERATION INSTRUCTONS**

**Meets Australian and
New Zealand Standard
AS/NZS 2693:2007**

**Patent Number: 201310641
Design Registration: 347123**

User Manual

Product Code: KJ4THL100

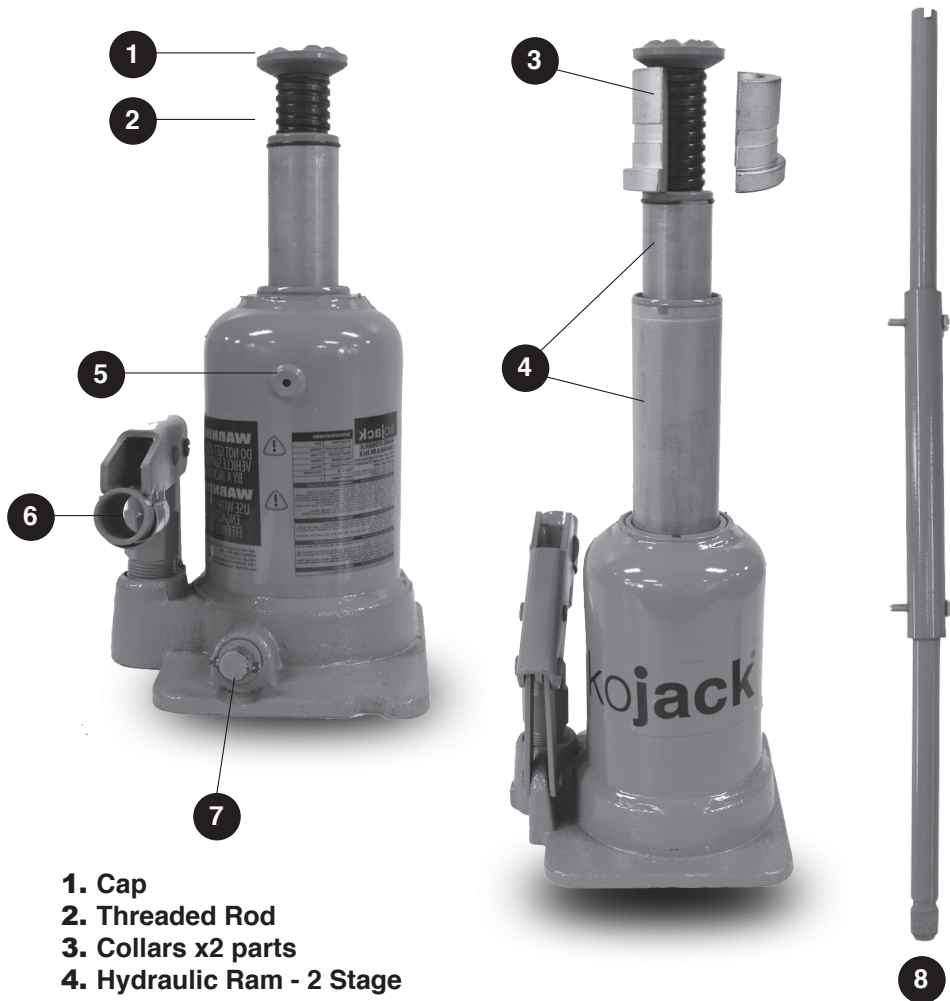
Product Code: KJ4T100



purpleline[®]

design...innovate...improve

KOJACK® HYDRAULIC CARAVAN & RV JACK

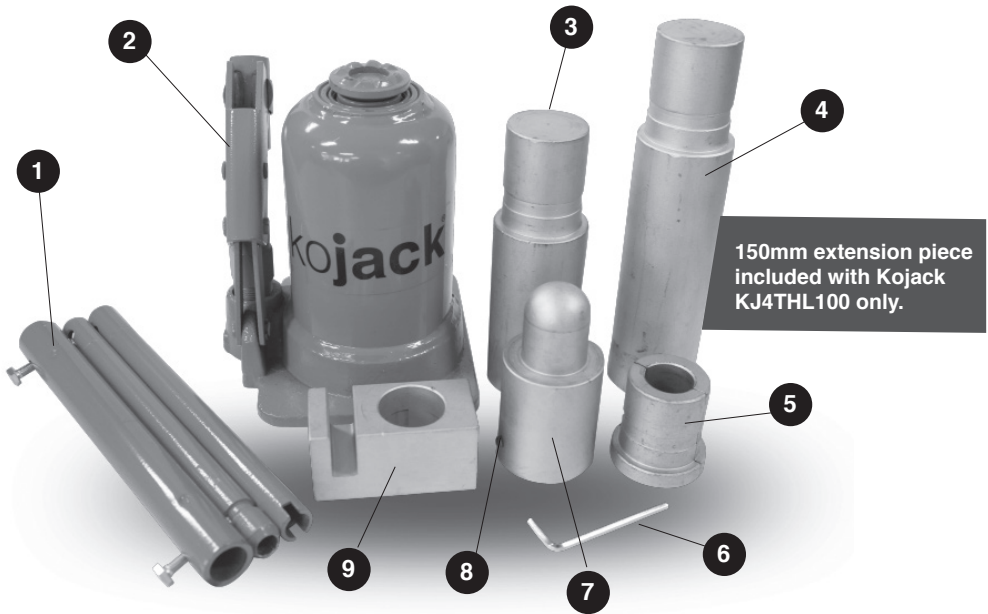


- 1. Cap
- 2. Threaded Rod
- 3. Collars x2 parts
- 4. Hydraulic Ram - 2 Stage
- 5. Oil Filler Cap
- 6. Tube for Lifting Handle
- 7. Release Valve
- 8. Lifting Handle x3 parts

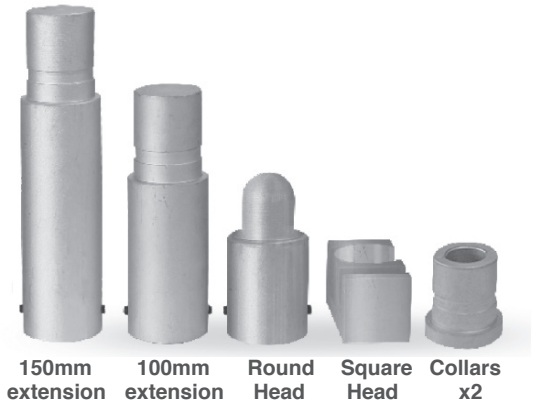
kojack®
Hydraulic Caravan & RV Jack

purpleline®
design...innovate...improve
purpleline.com.au

KOJACK® HYDRAULIC CARAVAN & RV JACK COMPONENTS



- 1. Lifting handle - x3 parts
- 2. Hydraulic Jack
- 3. 100mm Extension piece
- 4. 150mm Extension piece
- 5. Collars - x2 parts
- 6. Allen Key
- 7. Round Head
- 8. Grub Screws x6
- 9. Square Head



kojack®
Hydraulic Caravan & RV Jack

purpleline®
design...innovate...improve
purpleline.com.au

SPECIFICATIONS

The **Kojack® Caravan and RV Jack** is engineered to lift most on-road and off-road Caravans and Trailers with a round head mounting point or a square head mounting point. It does not require the removal of the jockey wheel or interfere with its operation and is a safe high lift range jacking system. **Kojack®** minus the components can also be used to lift most vehicles up to 4 tonnes in weight.

Working Load limit: 4000kg

Height of Kojack: 171mm



Round Head

For round mounted jacking points located on your caravan or RV



Square Head

For square mounted jacking points located on your caravan or RV

GENERAL SAFETY

WARNING: Read this User Manual carefully before use, to familiarise yourself with the operation of the **Kojack®** and to ensure you are able to operate it in a safe manner. Failure to heed the following instructions could result in serious injury or damage to property.

- Use only the components supplied.
- Keep and maintain the **Kojack®** and components in good condition.
- Inspect and test the **Kojack®** and components before use. to ensure there are no leaks, loose, bent or missing parts.
- Do not use the **Kojack®** and its components if they are in any way defective.

kojack®
Hydraulic Caravan & RV Jack

 **purpleline®**
design...innovate...improve
purpleline.com.au

RECOMMENDED SAFE OPERATING INSTRUCTIONS

Do not operate the **Kojack**[®] whilst under the influence of drugs, alcohol or any medication that could impair your ability to use the equipment safely.

Consult the vehicle owner's manual prior to using the **Kojack**[®] and its components.

- The vehicle must be attached to the tow vehicle before and when jacking.
- Keep the work area clean and free of hazards.
- Keep children at a safe distance whilst working on the vehicle.
- **Kojack**[®] should be used on firm, level ground wherever possible
- Do not occupy the vehicle whilst lifting or working on it.
- Chock all wheels before using the **Kojack**[®] to lift the vehicle.
- No person should place any portion of their body under the vehicle supported only by the **Kojack**[®] .
- After the vehicle is raised to the correct height, secure it by placing a vehicle support stand under the chassis.

IMPORTANT NOTICE

During shipment and handling, air can become trapped in the hydraulic system degrading the performance of the **Kojack**[®]. This can also occur when changing and topping up the hydraulic fluid. To purge air from the system, lower the hydraulic ram as far as it will go, place the jack horizontally with the oil filler cap facing upwards and remove the cap, which will allow the air to escape.

OPERATING INSTRUCTIONS - TO LIFT

1. Unscrew the Cap by turning it anti-clockwise until it will accommodate the Collar (aprox. 5cm above the Hydraulic Ram).
2. Fit the two sides of the Collar around the threaded section under the Cap.
3. Screw the Cap down to restrict vertical movement of the Collar between the Cap and the Hydraulic Ram before fitting any Adaptor or Extension.
4. Fit the round or square head adapter over the Collar, depending upon application.
5. Insert the Hex Key into the Grub Screw located on the Adapter and tighten by turning it clockwise until firm. Repeat for the other grub screw
6. Position the **Kojack**[®] under the round socket or square mount on the vehicle.
7. Join the three sections of the Jack Handle together.
8. Insert the notched end of the Jack Handle into the **Kojack**[®] Release Valve and rotate clockwise to close the valve.
9. Place the other end of the Jack handle in the tube mounted on the **Kojack**[®] and move the Jack Handle up and down to raise the vehicle.
10. If the jack is unable to lift the vehicle to the desired height, insert the Jack Handle into the Release Valve and gently turn anti-clockwise to lower the vehicle. (Once the Release Valve is sufficiently turned it will release the jack to descend - the decent can be controlled by the amount the release valve is turned.)

OPERATING INSTRUCTIONS - TO LIFT CONTINUED

11. Insert the Hex Key into one Grub Screw at a time and turn it anti-clockwise sufficiently to release the round or square head adapter.
12. Fit either the 150mm, 100mm or both Extension Pieces over the Collar and tighten the Grub Screws to secure it.
13. Fit the appropriate Head Adapter over the Extension Piece and tighten the Grub Screws to secure it.
14. Repeat steps 8 and 9.
15. Place a vehicle support stand at an appropriate spot under the chassis of the vehicle suitable for resting and securing the vehicle and then lower the vehicle by gently turning the Release Valve on the Kojack anti-clockwise until the vehicle is resting on the vehicle support stand.
16. Remove the **Kojack**[®]

OPERATING INSTRUCTIONS - TO LOWER

17. Position the **Kojack**[®] as per the set up used to raise the vehicle, under the round socket or square mount on the vehicle.
18. Repeat Steps 8 and 9.
19. Remove the vehicle support stand.
20. Insert the Jack Handle into the Release Valve of the **Kojack**[®] and gently turn anti-clockwise to lower the vehicle.
21. Remove the **Kojack**[®].

AFTER USE AND STORAGE

- Remove the round or square Head Adapter, Extension/s and Collar.
- Ensure the Cap and threaded section is secured in the Hydraulic Ram by turning it clockwise until it will turn no more.
- Ensure the Hydraulic Ram is secure in the **Kojack**[®] by pushing it down as far as it will go. (If you have not already opened the Release Valve you will need to do this to lower the Hydraulic Ram)
- Store the **Kojack**[®] and its components upright in a dry environment to prevent the components from rusting.
- Store the Kojack and its components in a safe place inaccessible to children.

kojack[®]
Hydraulic Caravan & RV Jack

 **purpleline**[®]
design...innovate...improve
purpleline.com.au

MAINTENANCE

IMPORTANT NOTICE

When replacing or topping up hydraulic fluid use a high grade hydraulic fluid ISO10-15 or equivalent. Do not use brake fluid, alcohol, glycerin, detergent, motor oil or any other fluid preceived or claimed suitable, as the use of fluids other than the hydraulic fluid recommended will cause serious damage to the internal components rendering the jack inoperative.

TO ADD HYDRAULIC FLUID

Open the Release Valve by turning it anti-clockwise and depress the Hydraulic Ram as far as it will go. Place the Jack on its side horizontally with the Oil Filler Cap facing upwards and remove the cap. Fill with the recommended hydraulic fluid until the fluid is level with the filler aperture. Prevent any contaminants from mixing with the hydraulic fluid and entering the jack. Replace Oil Filler Cap.

TO CHANGE HYDRAULIC FLUID

Hydraulic Fluid should be changed every twelve (12) months to maintain the Jack in peak performance. To replace the hydraulic fluid remove the Oil Filler Cap, place the Jack on its side over a tray or bowl with the oil filler aperture facing downwards and allow the fluid to drain. This may take some time as air must enter to allow the fluid to drain. Dispose of the old hydraulic fluid according to any government regulations that apply. (Note hydraulic fluid is toxic to the environment). Once drained fill the jack with hydraulic fluid as per the instruction on how 'to add hydraulic fluid'.

LUBRICATION

It is prudent to lubricate all pivoting joints on the **Kojack**[®] every three (3) months with a light oil.

PREVENTING RUST

Check the Hydraulic Ram every three (3) months for signs of corrosion. If apparent clean with an oily rag until removed. To minimise corrosion ensure the Hydraulic Ram is inserted all the way in the jack when not in use.

GENERAL CARE AND MAINTENANCE

Do not totally unscrew or remove the release valve.

kojack[®]

Hydraulic Caravan & RV Jack

 **purpleline**[®]
design...innovate...improve
purpleline.com.au

DISCLAIMER

When the **Kojack**[®] and its Components are maintained and used correctly they are an effective and simple means to raise a vehicle. However, **Purple Line**[®] will not warrant or accept any liability for improper fitment, use or misuse, lack of maintenance and unauthorised modification or repair of the **Kojack**[®] and its components and any consequential loss that may result.

Photographs and images are for illustration purposes only and may differ from the actual products. Purple Line reserves the right to alter product specifications and operating instructions without prior notice.

WARRANTY

The **Kojack**[®] and components (Goods) are guaranteed for 24 months from date of purchase and subject to Australian Consumer Law. **Purple Line**[®] warrants the **Kojack**[®] and components are supplied free of defects.

Refund: The Goods will be refunded if not fit for purpose.

Replaced: The Goods will be replaced if defects were apparent upon purchase or a major failure occurs, which cannot be repaired.

Repair: The Goods will be repaired in the event of failure. Goods presented for repair may be repaired or replaced with refurbished goods or parts of a similar type.

Contacts: To make a warranty claim first contact the retailer the Goods were purchased from and if purchased online **Purple Line**[®]
<http://www.purpleline.com.au/contact/php>

*To register your purchase go to
www.purpleline.com.au/product-registration.php*

**Meets Australian and
New Zealand Standard
AS/NZS 2693:2007**

Purple Line Pty Ltd
12 Capital Court
Braeside VIC 3195

Patent Number: 201310641
Design Registration: 347123

T: +61 (3) 9588 2959
E: enquiries@purpleline.com.au
W: www.purpleline.com.au

kojack[®]
Hydraulic Caravan & RV Jack

 **purpleline**[®]
design...innovate...improve