



OWNER'S MANUAL ALTITUDE-AU

RV

12V MOTORIZED AWNING W/ SINGLE SWITCH



Before operating the awning, carefully review the Owner's Manual. The manual contains important safety information, detailed operating instructions, common maintenance procedures and other useful information.



TABLE OF CONTENTS

Introduction	2
Operation	4
Standard Switch Operation.....	4
Positioning the awning (when extended).....	4
Adjusting the Pitch.....	5
LED's	6
Accessory Slot	6
Emergency Operation	6
Awning Care	7
Fabric Care.....	7
Mildew	7
Pooling	7
Leaking.....	7
Arm Care	7

Special Note: This manual provides a basic description of the product and the standard operating controls provided by Carefree of Colorado. Some Original Equipment Manufacturers (OEM's) may alter or change the placement, style and/or functional configuration of the switches. If your controls do not match the style or description included, contact the coach manufacturer for an accurate description. OEM furnished components are not covered by the Carefree warranty.

INTRODUCTION

Thank you for your recent purchase of the Altitude awning. We appreciate having the opportunity to do business with you. Our customers are our top priority, and we strive for 100% satisfaction. If you have any questions or concerns about this order, please do not hesitate to contact us.

Check with your dealer to discover the products that can make your life more Carefree.

PRODUCT DESCRIPTION

The Altitude awning provides motorized awning comfort with Carefree's standards for looks, strength and dependability with a successful blend of style, quality and economy.

- The unique "scissor" style arms do not require vertical ground supports.
- The adjustable arms provide easy to use 6-position pitch adjustment.
- The roller tube and arms are made from light weight, no-rust aluminum;
- The 100% billow-proof, worm-gear drive motor eliminates the need for travel locks;
- Simple single switch operation.

DISCLAIMERS

The Altitude awning is a product of Carefree of Colorado, located in Broomfield, Colorado, USA. The information contained in or disclosed in this document is considered proprietary to Carefree of Colorado. Every effort has been made to ensure that the information presented in the document is accurate and complete. However, Carefree of Colorado assumes no liability for errors or for any damages that result from the use of this document.

The information contained in this manual pertains to the current components and software listed on the title page. Carefree of Colorado reserves the right to cancel, change, alter or add any parts and procedures, described in this manual, without prior notice.

Carefree of Colorado agrees to allow the reproduction of this document for use with Carefree of Colorado products only. Any other reproduction or translation of this document in whole or part is strictly prohibited without prior written approval from Carefree of Colorado.

SERVICE AND SUPPORT

	www.carefreeofcolorado.com/altitude
	customerservice@carefreeofcolorado.com
	Carefree of Colorado 2145 W. 6th Ave. Broomfield, CO 80020

WARNINGS AND CAUTIONS

This is the safety alert symbol. It is used to alert individuals to potential personal injury hazards. Obey all safety messages that follow this symbol to avoid possible personal injury or death.

NOTICE

Awnings are designed to provide shade and protection from the sun. The effects of wind and rain on an awning are unpredictable and can cause severe damage to the awning and/or the vehicle. If wind or extended periods of rain are expected, roll up the awning.

NOTICE

It is recommended that if leaving the RV unattended for a length of time, retract the awning to avoid unexpected weather conditions.

NOTICE

If installed, LED lighting must be turned off when the awning is in the rolled up position. This is to prevent possible damage to the LEDs and/or canopy.

**WARNING**

Risk of fire. Keep all sources of heat and flame away from the awning canopy. Fabric is NOT fireproof.

Additional Warnings and Cautions are included in the text for the proper operation of the awning.

IMPORTANT NOTICE: It is strongly recommended that adjustments and repairs not described in this book be performed by trained technicians at your Authorized Carefree Dealer. Work performed by non-authorized persons or businesses may void warranty.

OPERATION

STANDARD SWITCH OPERATION

To Operate the Awning:

- Press and hold the Patio Switch until the awning is in the desired position then release the switch.

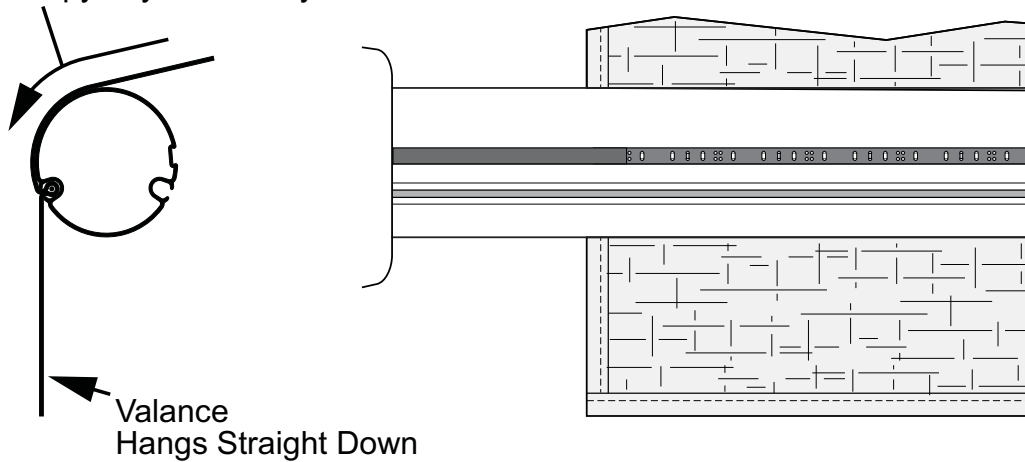


POSITIONING THE AWNING (WHEN EXTENDED)

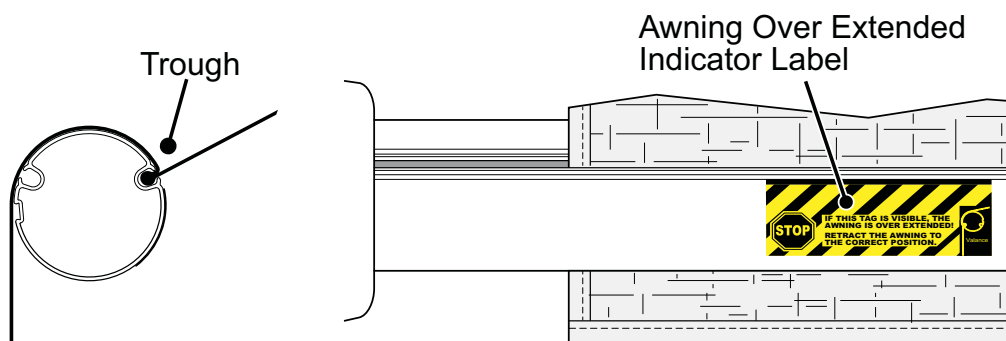
To prevent damage to the arms and to reduce pooling on the canopy, it is important that the roller tube is correctly positioned when the awning is extended.

Use the Extend/Retract switch to adjust the roller tube position.

Canopy Lays Smoothly Over Roller Tube



Awning Extended Correctly

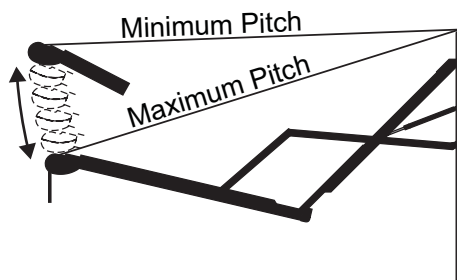


Awning Over Extended

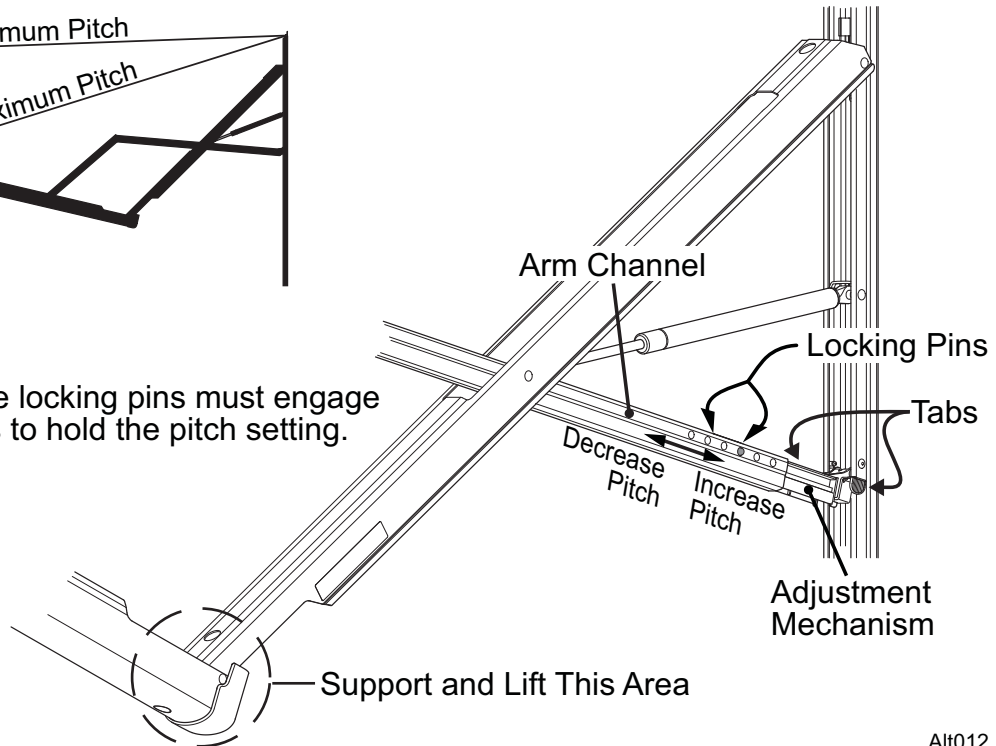
LG030

ADJUSTING THE PITCH

The Altitude arms have 6 pitch adjustment settings. The awning can be extended and retracted in any of these positions without having to reset the pitch between uses. See the NOTICES about unequal pitch settings.



NOTE: The locking pins must engage in the holes to hold the pitch setting.



Alt012

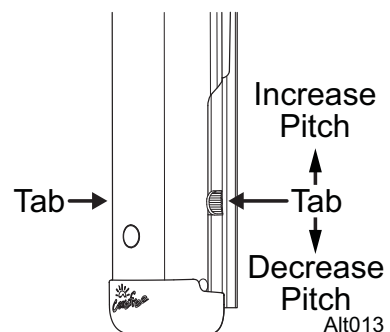
CAUTION Use care when adjusting the pitch as the awning may move abruptly.

With the Awning Open:

1. Grasp the awning arm in the area shown and gently pull toward the vehicle to reduce pressure on the pins.
2. Fully depress both pitch adjustment tabs located on the scissor arm. There is one on each side of the arm; these must be fully pressed in.
3. Slide the arm channel to the desired set hole - towards the coach to increase the pitch and away from the coach for to decrease the pitch.

With the Awning Closed:

1. Fully depress both pitch adjustment tabs located on sides of the scissor arm. There is one on each side of the arm; both must be fully pressed in.
2. Move the tabs and adjustment mechanism up to increase the pitch or down to decrease the pitch.



Alt013

NOTE: For awnings 12' and longer: The awning can be retracted when the individual arm pitches are set differently up to a maximum of five (5) positions difference between the left and right arms.

NOTICE For awnings under 12': the arms must be set at an equal pitch before retracting the awning. Damage to the arms and canopy can occur if the awning is retracted with the arms uneven.

LED's

White (monotone) LEDs are a popular option providing lighting beneath the awning. Factory installed LEDs are located on the roller tube or can be mounted at the awning rail.

To operate the White LED lights, you must have the LED power switch ON.

NOTE: Some OEMS may furnish their own switch that may appear differently than the switch pictured.



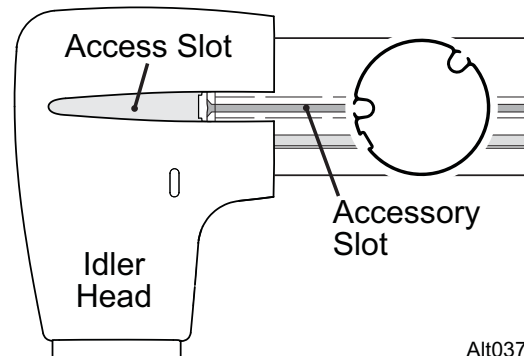
LED022

ACCESSORY SLOT

The roller tube has an accessory slot for hanging screens or other accessories.

To access the accessory slot:

1. Over extend the awning until the accessory slot aligns with the access slot in the idler head.
2. Mount the accessory.
3. Retract the awning to the correct position.



EMERGENCY OPERATION

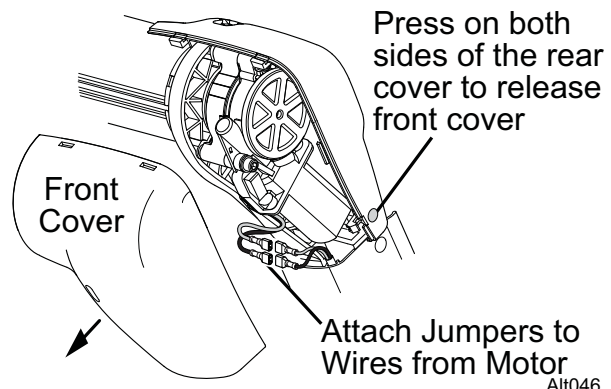
If power to the vehicle is not available, the awning can be safely retracted by jumping the motor using a 10V-14V power source such as a cordless drill battery or car battery.



WARNING

DO NOT USE A 110V POWER SOURCE FOR THE EMERGENCY OVERRIDE PROCEDURE! DOING SO WILL PERMANENTLY DAMAGE THE AWNING! DO NOT USE THE EMERGENCY OVERRIDE WITHOUT FOLLOWING THE DIRECTIONS BELOW.

1. Remove the front cover. To remove, press on both sides of the rear cover until the front cover releases then lift the front cover off.
2. Detach the RED and BLACK motor wires from the cable.
3. Attach jumper wires to the motor wires.
4. Connect the jumper leads to a 10-14V source. If the awning moves in the wrong direction, reverse the leads. Maintain contact throughout the retraction process.
5. When the awning is closed, remove the jumper wires and attach the cable and motor wires. Be sure to match the wire colors.
6. Snap the front cover onto the rear cover. Hang the cover on the top and swing down until it clicks.



AWNING CARE

Maintaining a Carefree Awning is easy. Just follow these basic steps:

- Always operate the awning according to the instructions.
- Periodically check that the fasteners are tight. Tighten if necessary.
- Keep the awning fabric and arms clean.

FABRIC CARE

NOTICE Do not use oil based cleaners or any caustic, granulated, or abrasive type cleaners on your Carefree product.

1. One of the best ways to keep the fabric looking good and to delay the need for deep or vigorous cleanings is to hose fabrics off on a monthly basis with clear water. This practice helps prevent dirt from becoming deeply imbedded in the fabric. In most environments, a thorough cleaning will be needed every two to three years.
2. When it's time for a thorough cleaning, the fabric can be cleaned while still on the awning frame.
 - Use a soft brush and warm water with soap.
3. When cleaning the fabric, it is important to observe the following:
 - Always use a natural soap, never detergent.
 - Water should be cold to lukewarm, never more than 100°F.
 - Air-dry only. Never apply heat to the fabric.
 - Always allow the fabric to dry thoroughly before rolling up the awning.

MILDEW

Mildew is a fungus growth that looks like dirt. Vinyl coated polyester fabrics are mildew resistant because of a chemical biocide in the vinyl coating. Under ordinary conditions, mildew will not appear. However, in areas where high temperature and humidity are common, mildew can be a problem and require the material to be washed more frequently.

POOLING

When water collects on the top of the fabric, this is known as "pooling". This can occur during inclement weather or if a running air conditioner discharges over the awning. The water is dumped when the awning is retracted. It is recommended that if water accumulates on the top; retract the awning in steps (8"-12") to dump the water. This will help prevent the fabric from stretching or distorting.

LEAKING

On vinyl canopies, side hems and poly cords are stitched in with a sewing machine. On occasion, this stitching may allow water to seep or leak through. This is normal and not a defect covered by warranty. Treat the seams with a quality seam sealer.

ARM CARE

The best method of keeping the arms and braces operating smoothly is to clean them. Dirt and debris can cause the arms not to move easily. Periodically wash out the channels with running water (i.e. a hose). If the arms still do not move easily, lightly spray the joints and pivot points with a dry silicone lubricant after the arms have been cleaned and dried thoroughly.

